

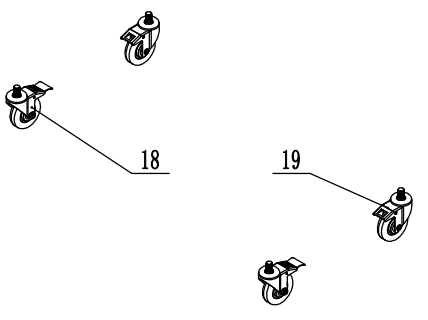
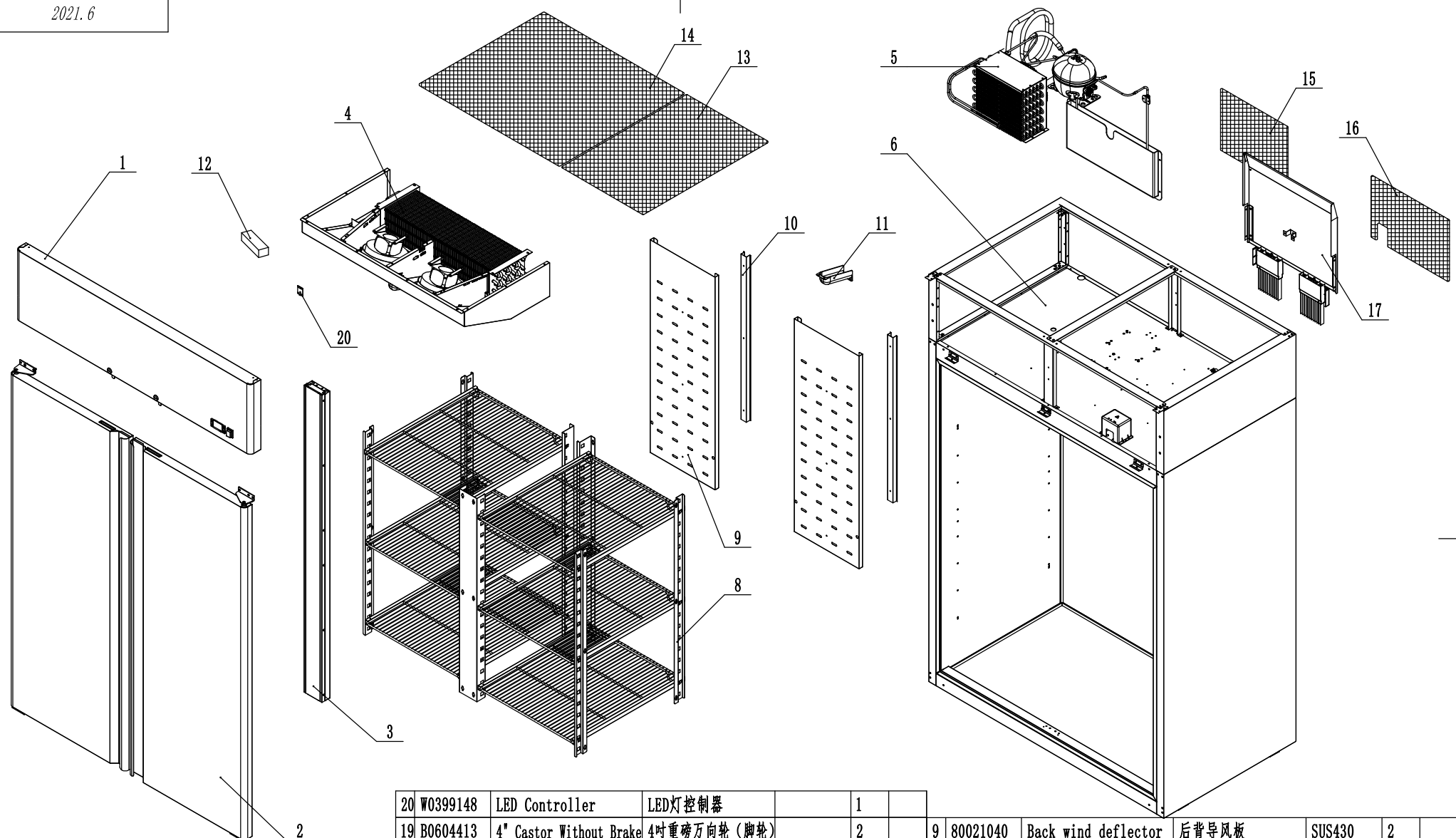
2021.6

A

B

C

D



20	W0399148	LED Controller	LED灯控制器	1									
19	B0604413	4" Castor Without Brake	4吋重磅万向轮(脚轮)	2		9	80021040	Back wind deflector	后背导风板	SUS430	2		
18	B0604421	4" Castor With Brake	4吋带刹车重磅万向轮[剃定向]	2		8	8114GR-SA	Shelf Assembly	食品架组件		1		
17	8001GR-WEA	Water evaporation assembly	水蒸发组件	1		6	8005GR-CA	Cabinet Assembly	箱体组件		1		
16	W0402618-1	Left back of the net	箱体后背保护网(左)	1		5	8117GR-CCA	Comp&Cond Assembly	冷凝机组		1		
15	W0402618-2	Right back of the net	箱体后背保护网(右)	1		4	8117GR-EA	Evaporator Assembly	蒸发机组		1		
14	W0402665-2	Left top net	箱体顶部保护网(左)	1		3	8002GR-MA	Mullion Assembly	中梁组件		1		
13	W0402669-1	Right top net	箱体顶部保护网(右)	1		2	8114-MDA	Door Assembly	门体组件		1		
12	W0399115	LED Power	LED灯电源	15W	1	1	8117GR-MTPA	Top Panel Assembly	前罩组件		1		
11	W0409081	A drain protection	排水管保护件	ABS	1								
10	80011041	Back wind deflector stents	后背导风板支架	SUS430	2								
							序号	Material code	English Name	Chinese Name	MATERIAL	QUANTITY	Remark

1

2

3

4

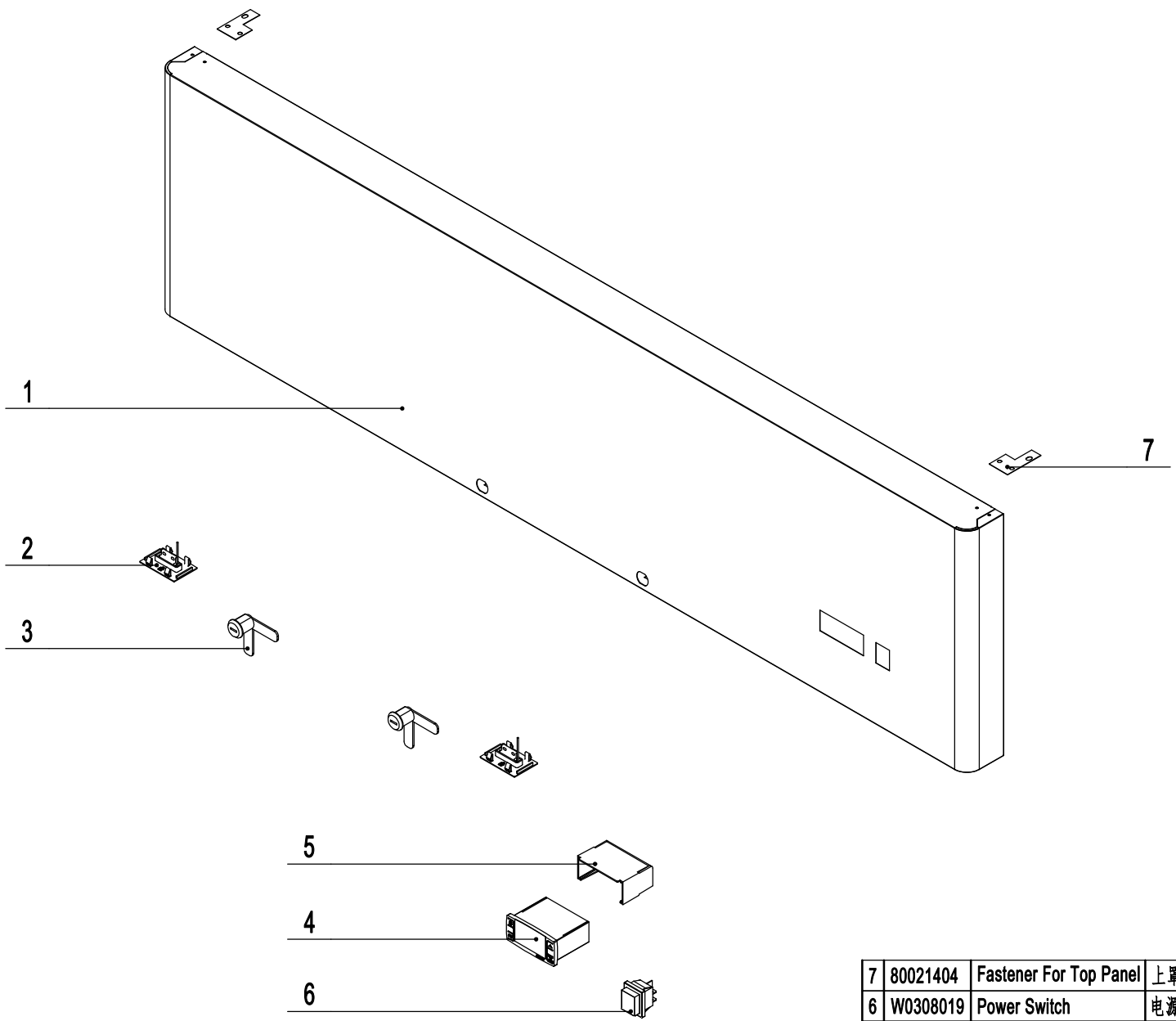
5

6

D

8117GR-MTPA

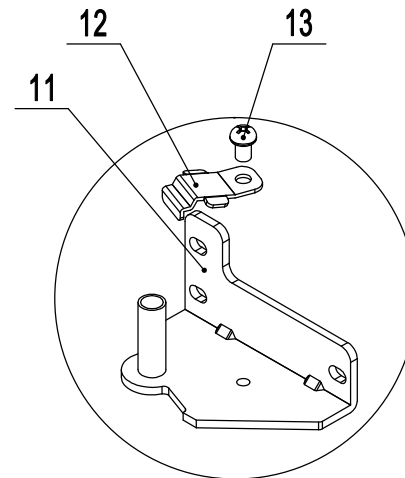
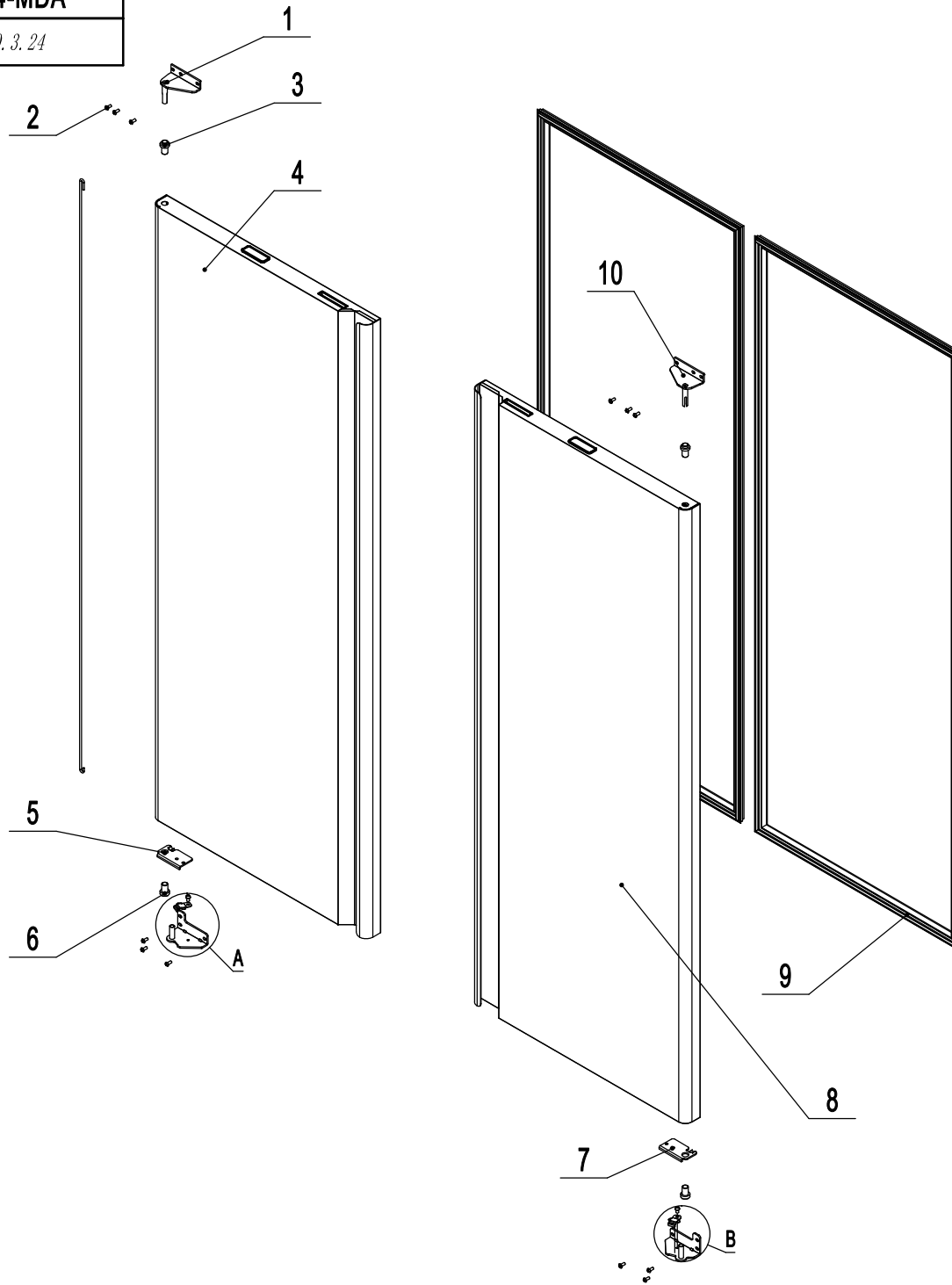
2021.6



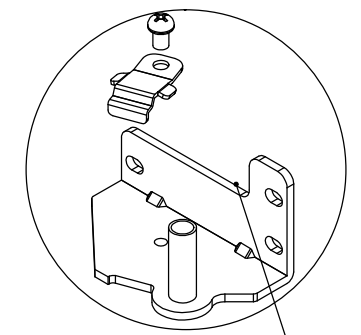
7	80021404	Fastener For Top Panel	上罩板加固件	SUS430	2	
6	W0308019	Power Switch	电源开关		1	
5	W0302303	Controller Cover	防水后盖		1	
4	W0302168	Digital Controller	冷藏温控器		1	D
3	W0604007	Lock	冰箱锁		2	
2	W0409161	Gate Magnetic Switch	门磁开关组件		2	
1	81141425-430	Front Top Panel	前罩板	SUS304	1	
序号	Material code	English Name	Chinese Name	MATERIAL	QUANTITY	Remark

8114-MDA

2020. 3. 24



局部放大图A

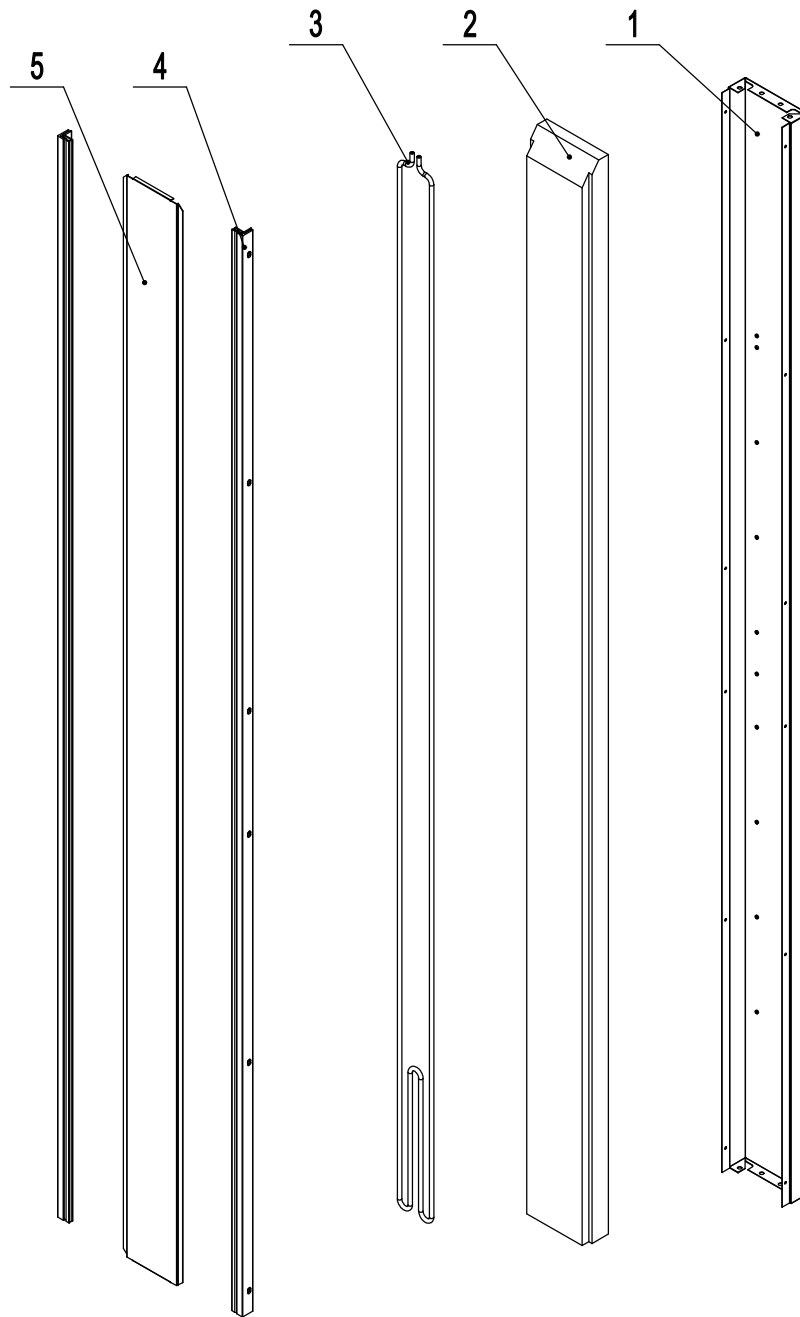


局部放大图B

15	W0604921	Door Spring Bar	门体发条		2		
14	W0604037	Right-Bottom Hinge	右下铰链	SUS304	1		
13	B0507015	SS Screw M6x8	M6x8不锈钢螺丝		2		
12	W0604038	Door Brake-Bottom	门自锁装置-下	SUS304	2		
11	W0604036	Left-Bottom Hinge	左下铰链	SUS304	1		
10	W0604033	Right-Top Hinge	右上铰链	SUS304	1		
9	W0404515	Door Gasket	门封条		2		
8	81140201	Right Door	右门体		1		
7	W0604030	Door Brake -Right	门自锁装置-右	SUS304	1		
6	W0409843	Door Shaft Sleeve-Bottom	门体轴套	PA66	2		
5	W0604031	Door Brake -Left	门自锁装置-左	SUS304	1		
4	81140202	Left Door	左门体		1		
3	W0409842	Door Shaft Sleeve-Top	门体轴套	PA66	2		
2	B0502207	SS Screw M5x12	M5x12不锈钢螺丝		12		
1	W0604032	Left-Top Hinge	左上铰链	SUS304	1		
序号	Material code	English Name	Chinese Name	MATERIAL	QUANTITY	Remark	Price

8002GR-MA

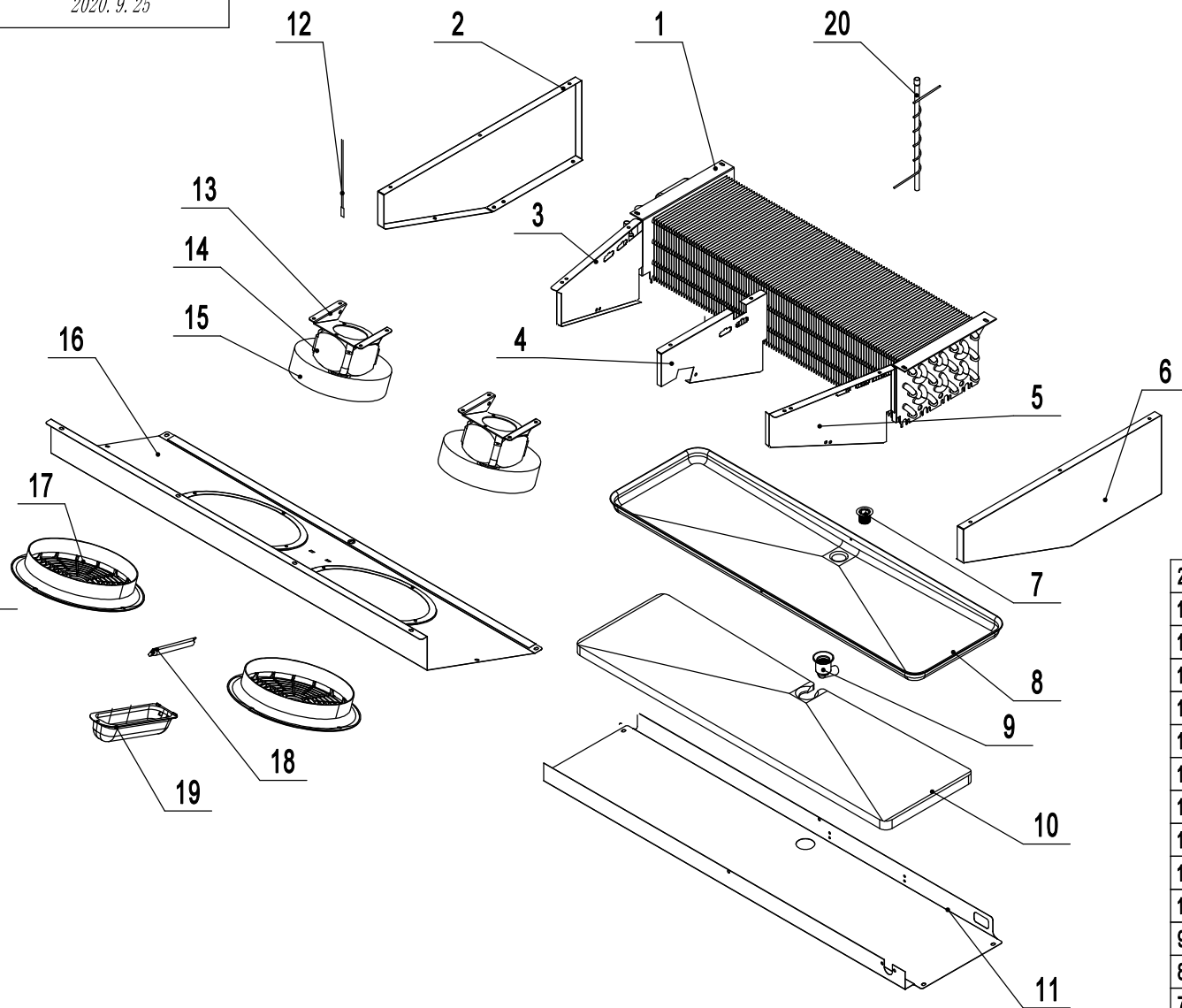
2021.6



5	80021102	Mullion Front Cover	中梁前盖板		1		
4	W04101990	Mullion Plastic Connector	竖中梁接口		2		
3	W0210287	Mullion Heater Pipe	中梁除露管		1		
2	W0499088	Mullion Foam	竖中梁泡沫		1		
1	80031110-430	Mullion Back Cover	中梁后盖板	SUS430	1		
序号	Material code	English Name	Chinese Name	MATERIAL	QUANTITY	Remark	Price

8117GR-EA

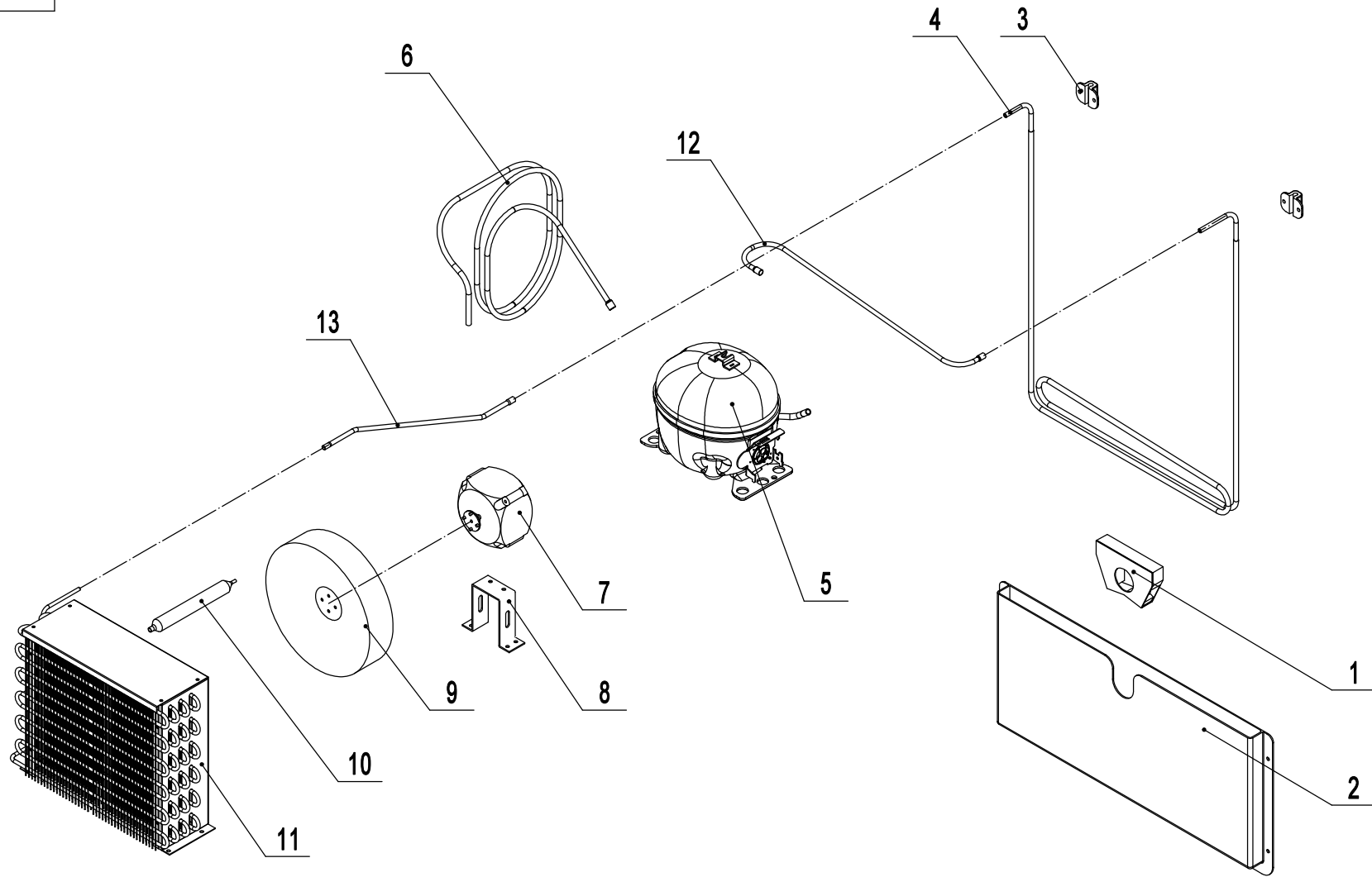
2020. 9. 25



20	W0210415	Low Pressure Coil Back to Comp	回气管(B)	TP2-M	1		
19	W0409863	Lamp Cover	灯罩	PC1302	1		
18	W0304086	Lamp	LED 灯		1		
17	W0409080	Evap Fan Motor Cover	蒸发风机罩	ABS	2		
16	8114120201	Evap Front Cover	蒸发前盖板	SUS430	1		
15	W0301078-01	Evap Fan Blade	蒸发风叶	Ø172	2		
14	W0301912-01	Evap Fan Motor	蒸发风机		2		
13	80021501	Evap Fan Braket	蒸发风机支架	SUS304	2		
12	W0302316	Room Temp Probe	感温探头		1		
11	8114120101	Drain Pan Cover	蒸发后盖板	SUS430	1		
10	W0803012	Drain Pan Foam	接水盘泡沫	EPS	1		
9	W0409858	Drain Hose Connector A	排水管连接器A	PA66	1		
8	80022003	Drain Pan	铝制接水盘	AL	1		
7	W0409859	Drain Hose Connector B	排水管连接器B	PA66	1		
6	80021207	Evap Right Cover	蒸发右挡板	SUS304	1		
5	80021204	Right Air Lane Cover	蒸发空气右挡板	SUS430	1		
4	80021205	Middle Air Lane Cover	蒸发空气中挡板	SUS430	1		
3	80021203	Left Air Lane Cover	蒸发空气左挡板	SUS430	1		
2	80021206	Evap Left Cover	蒸发左挡板	SUS304	1		
1	W0202118	Evaperator	蒸发器	AL TP2-M	1		
序号	Material code	English Name	Chinese Name	MATERIAL	QUANTITY	Remark	Price

8117GR-CCA

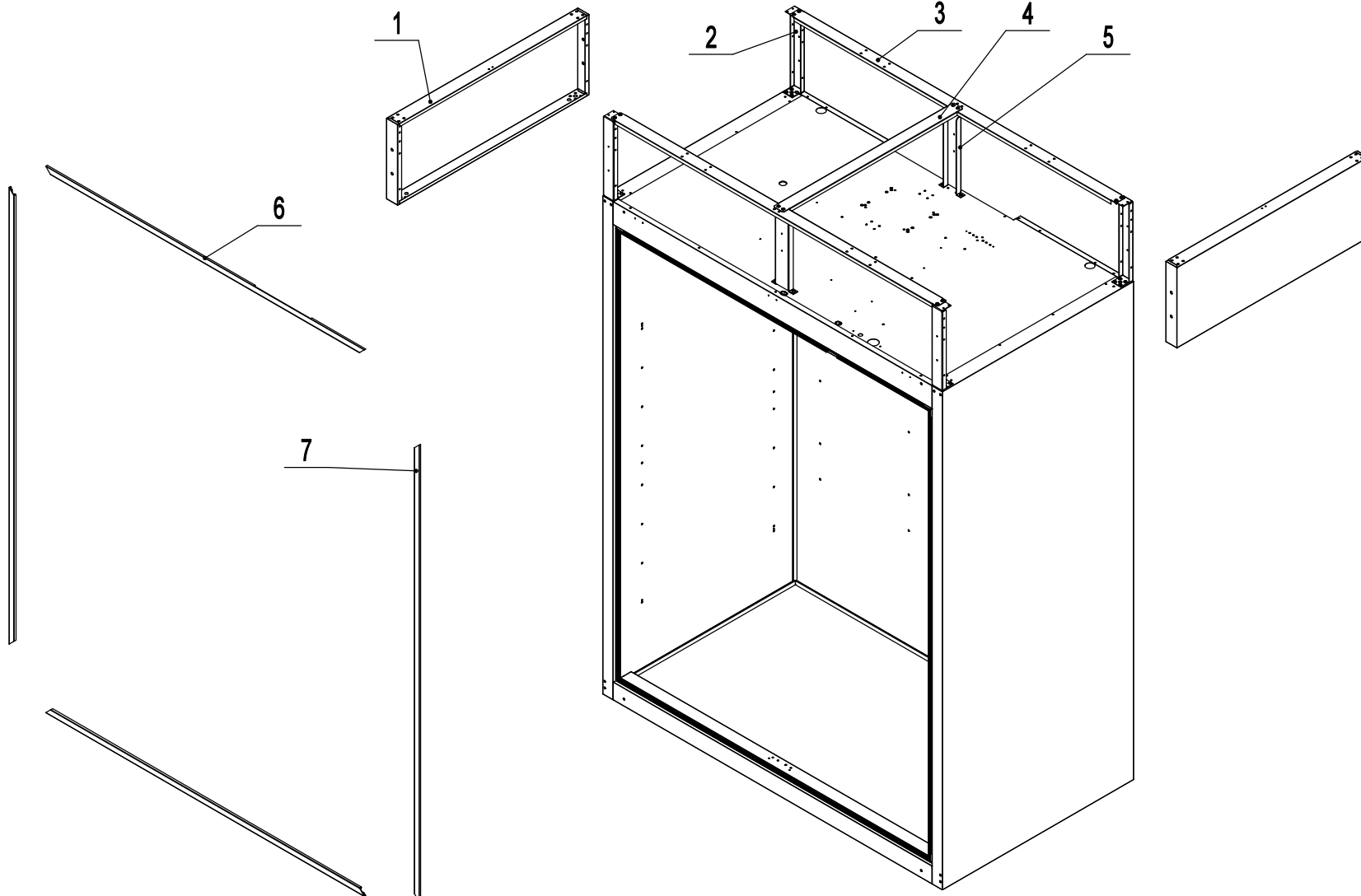
2020. 9. 25



						6	W0210461	Low Pressure Coil Back to Comp	回气管(A)	TP2-M	1	
						5	W0201162	Compressor	压缩机		1	
						4	W0210413	High Pressure Coil	散热管	TP2-M	1	
						3	W0413062	Rubber Fixing Block	散热管固定垫	RUBBER(橡胶)	2	
						2	W0409071	Back High Pressure Coil Pan	后背蒸发包	PP	1	
						1	W0409078	Air pressure balance device	后背蒸发包水封	ABS	1	
					序号	Material code	English Name	Chinese Name	MATERIAL	QUANTITY	Remark	
13	W0210458	Connecting Coil to Condenser	连接管(散热管-冷凝器)	TP2-M	1							
12	W0210416	Connecting Coil From Compressor	连接管(压缩机与散热管)	TP2-M	1							
11	W0203073	Condenser	冷凝器	GI	1							
10	W0204101	Dry Filter	干燥过滤器	TP2-M	1							
9	W0301061	Condenser Fan Blade	冷凝风叶	AL/Ø230	1							
8	80061601	Condenser Fan Braket	冷凝风机支架	GI	1							
7	W0301916	Condenser Fan	冷凝风机		1							

8005GR-CA

2020. 9. 25



7	W04102045	Left-Right Frame Cover	箱体左右接口盖	PVC-H	2		
6	W04102056	Top Frame Cover	箱体上下接口盖	PVC-H	2		
5	80021825	Top Fixing Rack	箱体中支撑架	GI	2		
4	80021827	Top Short Fixing Rack	箱体竖向固定架	GI	1		
3	80021826	Top Long Fixing Rack	箱体横向固定架	GI	2		
2	80011810	Side Panel Frame	箱体支撑架	GI	4		
1	80010935-430	Top Side Panel	箱体上侧板	SUS430	2		
序号	Material code	English Name	Chinese Name	MATERIAL	QUANTITY	Remark	Price

8114GR-SA

2020. 9. 25

A

B

C

D

1

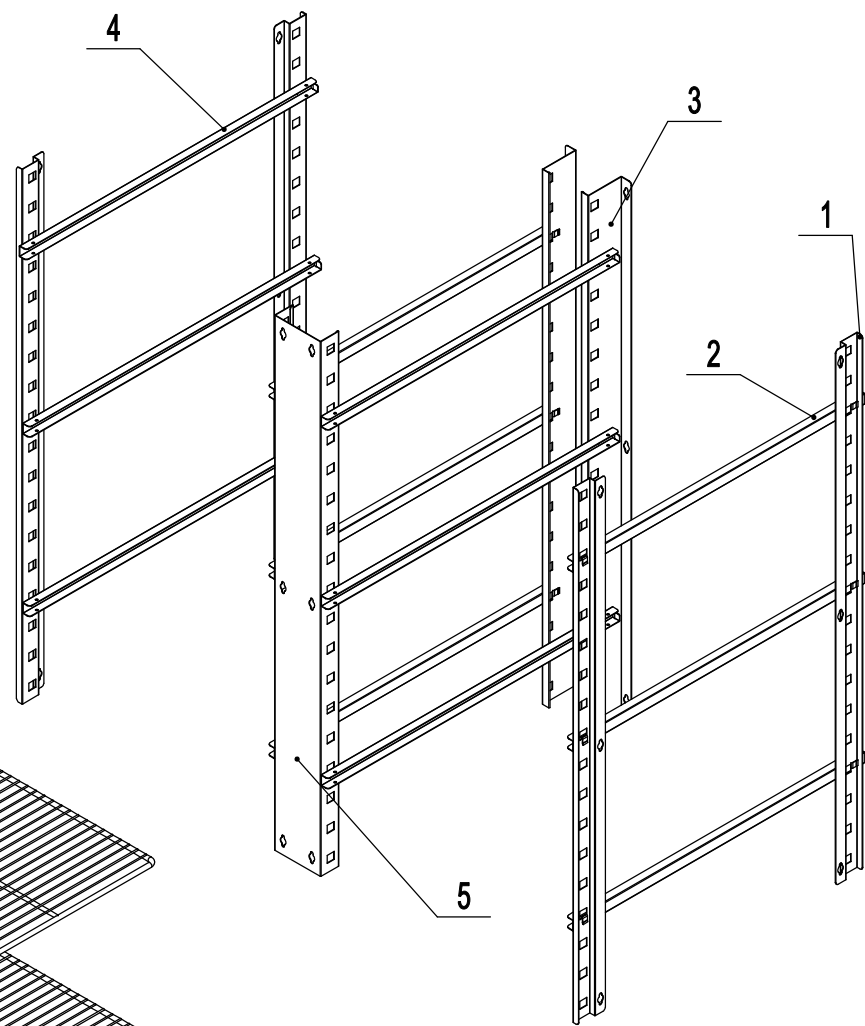
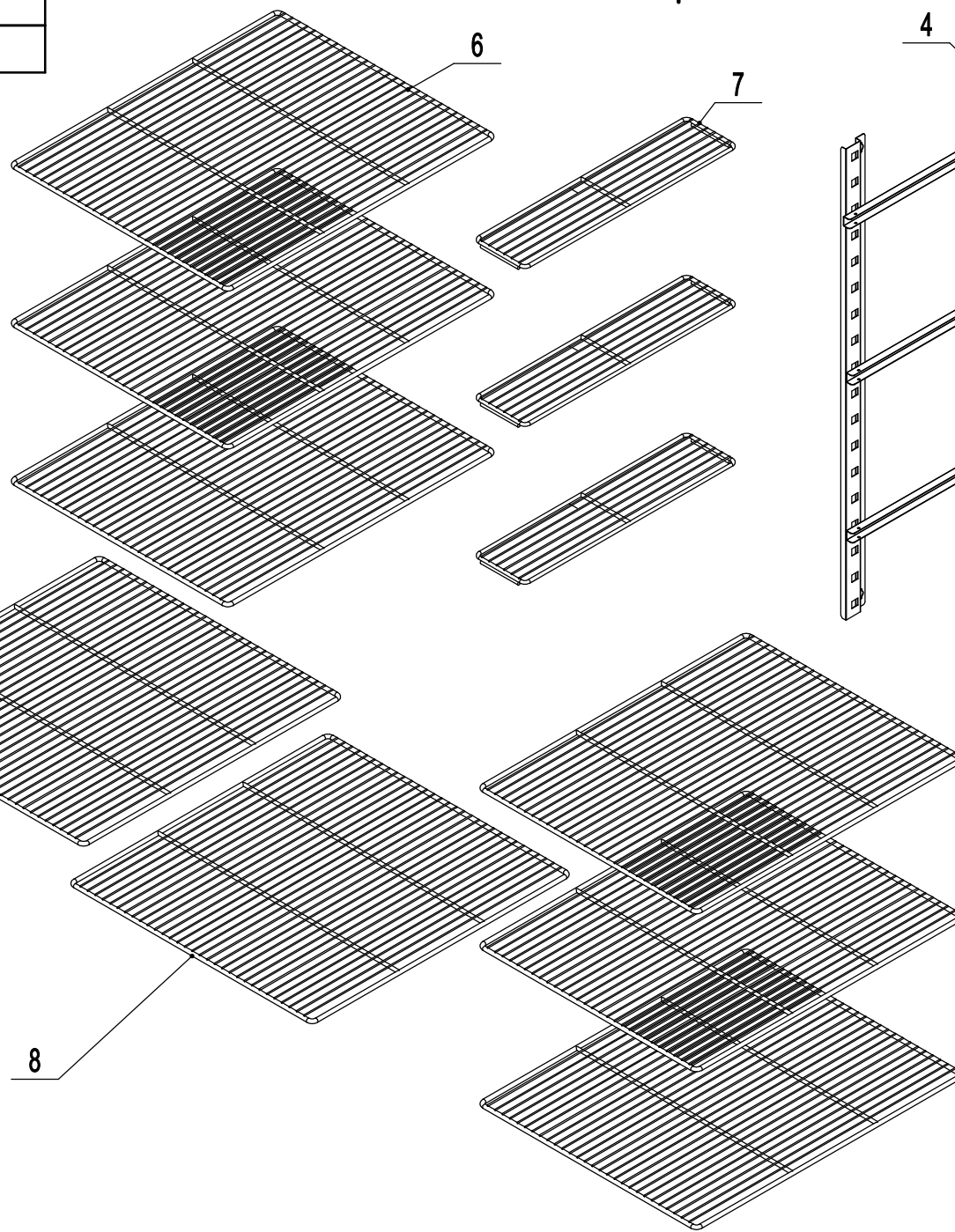
2

3

4

5

6



8	W0402370	Shelf(B)	底层食品架		2		
7	W0402353	Shelf(S)	小食品架		3		
6	W0402369	Shelf	食品架		6		
5	81147420	Pilastor For Shelf(F)(M)	前中竖隔条		1		
4	80037407	shelf left chute	隔条(滑槽)左		6		
3	81147421	Pilastor For Shelf(B)(M)	后中竖隔条		2		
2	80037408	shelf right chute	隔条(滑槽)右		6		
1	80037403	Pilastor For Shelf	食品架隔条		4		
序号	Material code	English Name	Chinese Name	MATERIAL	QUANTITY	Remark	Price

A

B

C

D

1

2

3

4

5

6

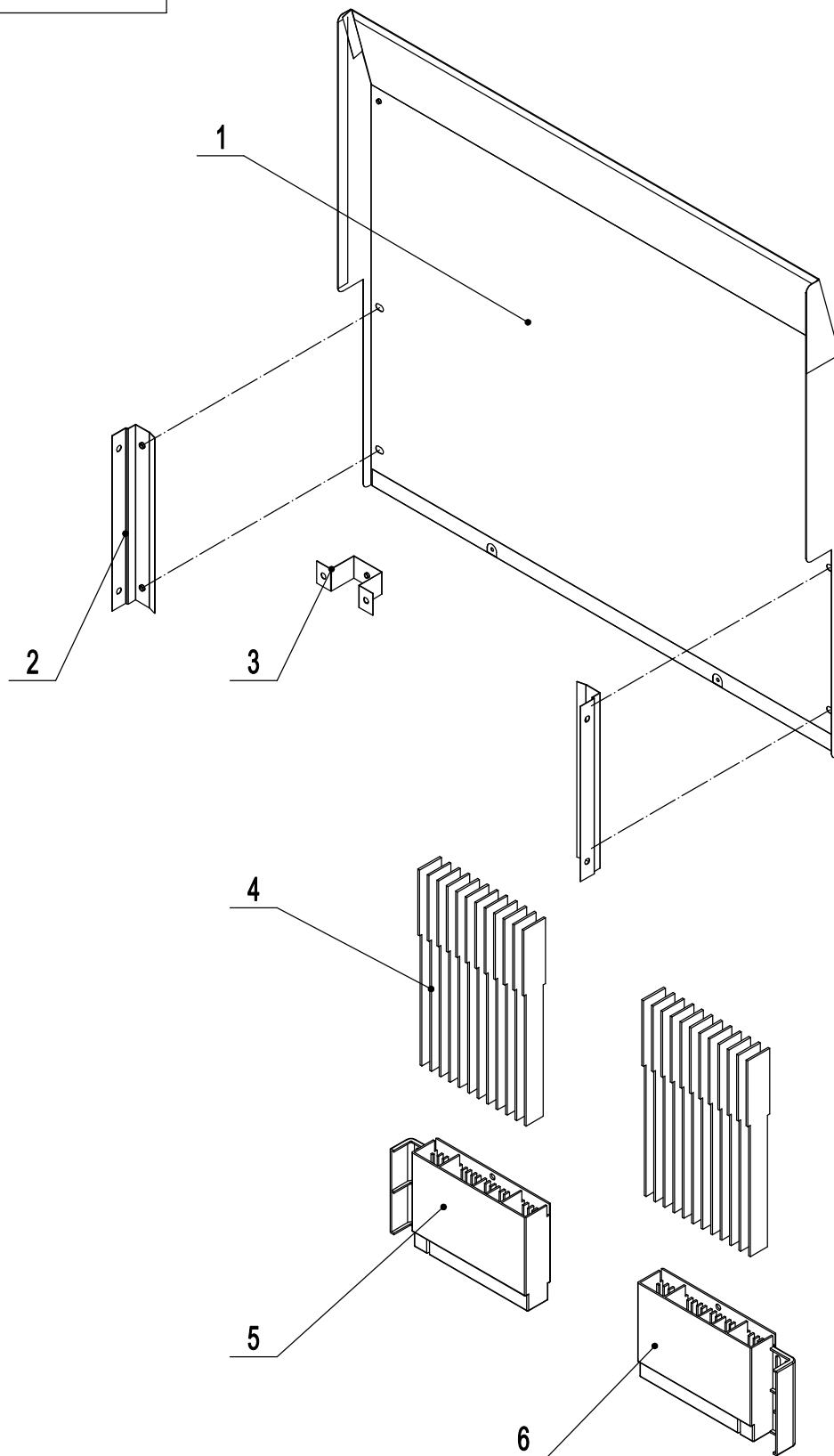
8001GR-WEA

A

B

C

D



6	W0409086	Left bracket for Absorbent paper	左吸水纸支架	1		
5	W0409087	Right bracket for Absorbent paper	右吸水纸支架	1		
4	W0499920	Absorbent paper	吸水纸	24		
3	80011814	Middle fixing plate for Air deflector	蒸发包导风板中固定件	1		
2	80011813	Side fixing plate for Air deflector	蒸发包导风板侧固定件	2		
1	80010941	Air deflector	蒸发包导风板	1		

序号	Material code	English Name	Chinese Name	MATERIAL	QUANTITY	Remark	Price
----	---------------	--------------	--------------	----------	----------	--------	-------

1

2

3

4

A

B

C

D